

# Simulation and Control of Drop Size Distributions in Stirred Liquid/Liquid Systems

J. Heiland M. Baumann A. Walle V. Mehrmann M. Schäfer

Keywords: Liquid/liquid dispersion, Drop size distribution (DSD), Control interface, Control design, DQMOM, CFD

## Background and Motivation

### Control of the particle distribution of liquid/liquid dispersions:

- Optimization of mixing processes used e.g. in chemical industry
- Recent developments enable reliable and affordable CFD investigations
- There are no mathematical tools available for the control of liquid/liquid dispersions

### Research goals:

- Implementation of the DQMOM algorithm to approximate the DSD into the flow solver
- Coupling of the flow solver to the control unit
- Design of controllers for the coupled system

### Physical Setup:

- Rushton turbine DN150 with 90% water and 10% toluene, treated as a single-fluid
- Simulations with  $\approx 240$  rpm  $\rightarrow$  Reynolds Number  $\approx 18.000$

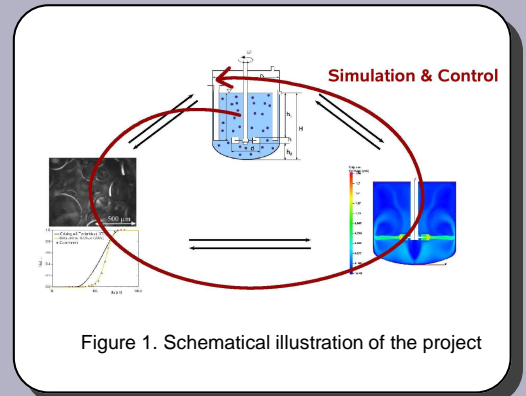


Figure 1. Schematical illustration of the project

## Implementation Approach

### Design of the Control Setup:

- Coupling of the flow solver FASTEST3D to MATLAB for simulation design and control
- Use FASTEST3D and the DQMOM to compute the moments  $m_0, m_1, \dots, m_N$  of the DSD in the reactor
- Use MATLAB *Control Toolbox* to control the DSD

### Definition of the Control Problem:

- Take the **stirrer speed**  $\omega$  as input and the **Sauter diameter**  $d_{32}$  and the **standard deviation**  $\sigma$  as observed and controlled output
- Define the target value  $d_{32}^*$  and the optimal control problem:

$$\mathcal{J}_{(\alpha, \beta)}(d_{32}, \sigma, \omega) = |||d_{32}(\omega) - d_{32}^*||| + \alpha ||\sigma(\omega)|| + \beta ||\omega|| \rightarrow \min \quad (*)$$

### Identification:

- Use test functions  $\omega^k$  and compute input/output data  $[\omega^k \leftrightarrow d_{32}^k, \sigma^k]$  (Figure 3) to tune the surrogate linear state space model

$$\begin{aligned} \dot{x} &= Ax + B\omega \\ \begin{bmatrix} d_{32} \\ \sigma \end{bmatrix} &= Cx + D\omega \end{aligned}$$

- Approximate (\*) using e.g. linear quadratic controllers of the identified model

### Recent Result:

- Currently no optimization results due to poor quality of generated input/output data

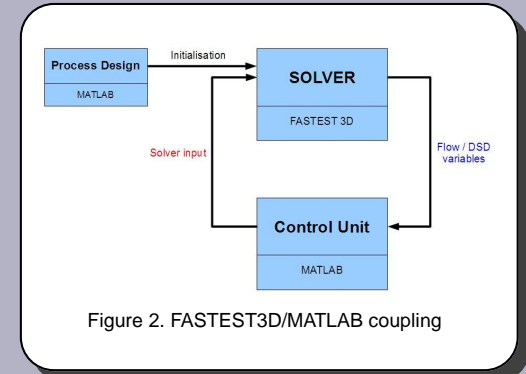


Figure 2. FASTEST3D/MATLAB coupling

## Upcoming Issues

- Improve robustness of the numerical simulations through dimensionless formulations
- Validation of numerical results with experimental findings
- Design of model specific and robust controllers for simulations and experiments

## Partners Involved

Chair of Chemical and Process Engineering, TU Berlin: S. Herrmann, M. Kraume  
 Institute of Mathematics, TU Berlin: M. Baumann, J. Heiland, V. Mehrmann  
 Institute of Numerical Methods in Mech. Engineering, TU Darmstadt: A. Walle, M. Schäfer

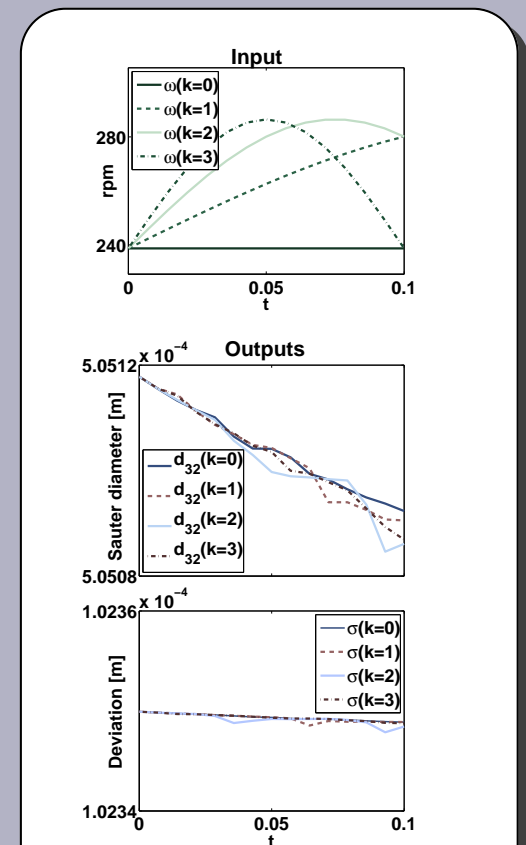


Figure 3: Input/output data for the input testfunctions  $\omega^k, k = 0, 1, 2, 3$